

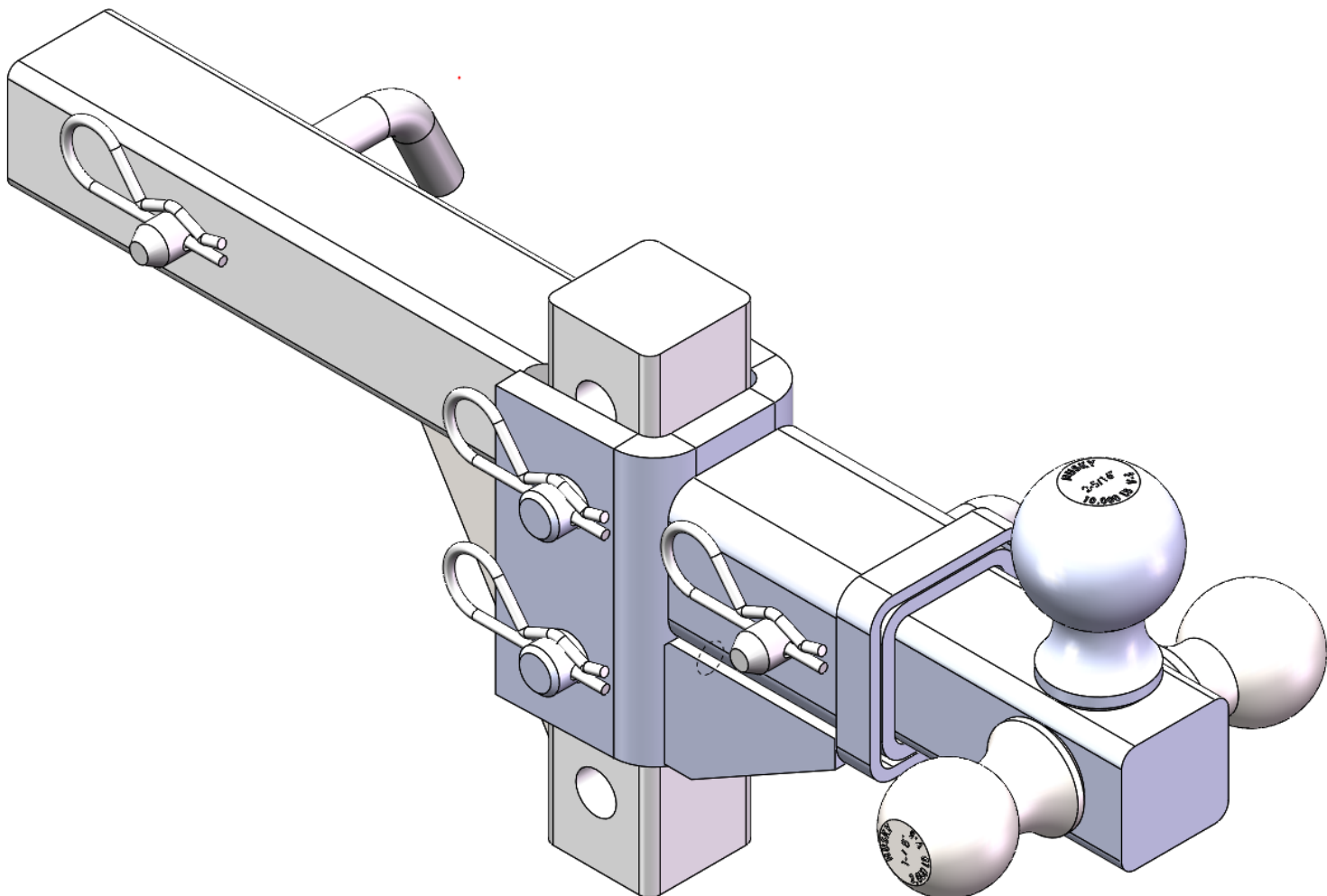


Assembly, Installation, Operation and Maintenance Instructions TRI-BALL ADJUSTABLE BALL MOUNT

P/N: 30001

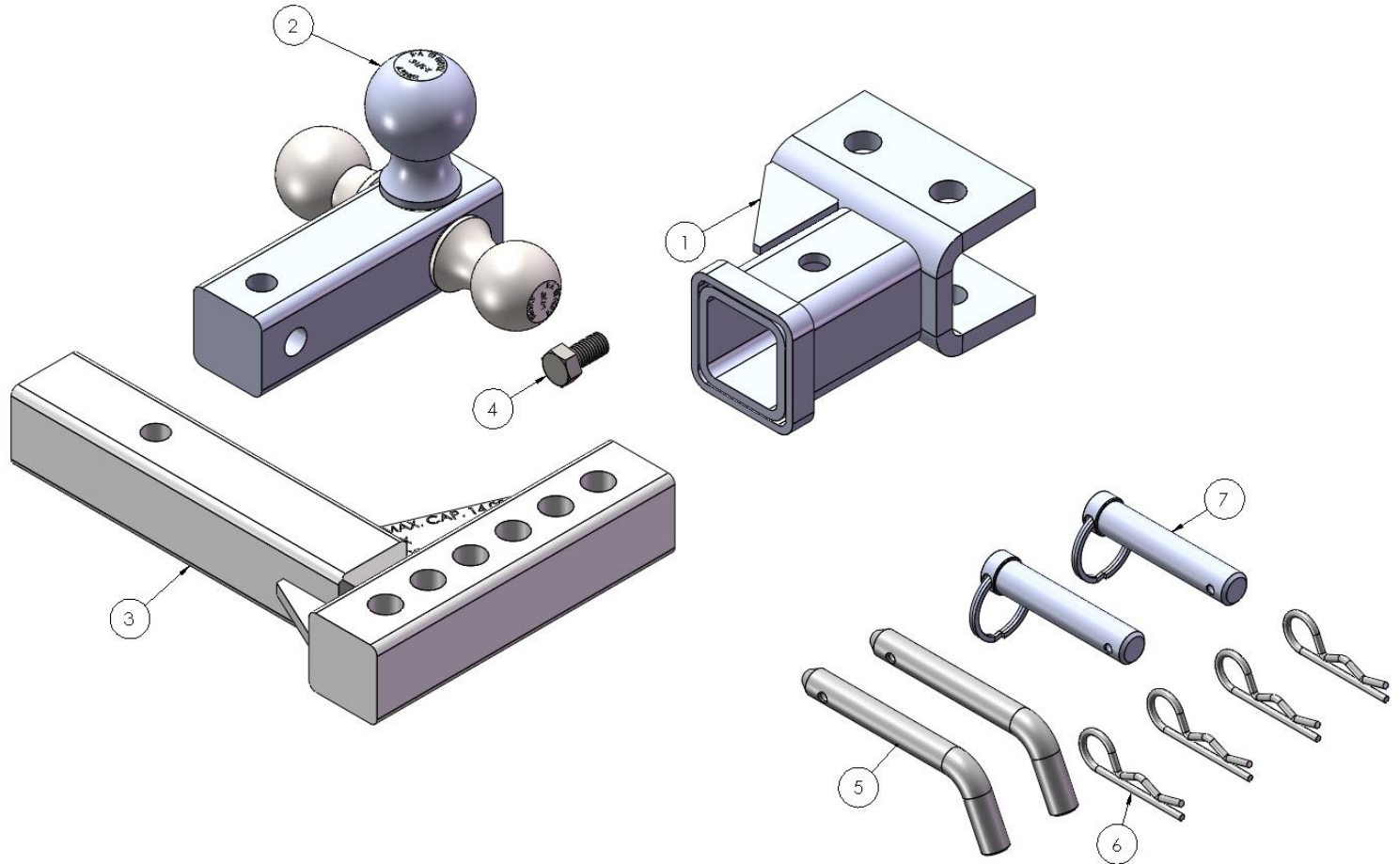
Dealer / Installer:	Provide a copy of these instructions to the end user of this product. These instructions provide important operating and safety information for proper usage of this product. Demonstrate the proper use of the product with the end user. Have the end user demonstrate that they understand the proper use of the product.
End User:	Read and follow all instructions included in this manual. Ask your Dealer / Installer for assistance if you do not understand the proper use of the product. Never remove any decals from the product.

WARNING! Never exceed the towing capacity of the tow vehicle.



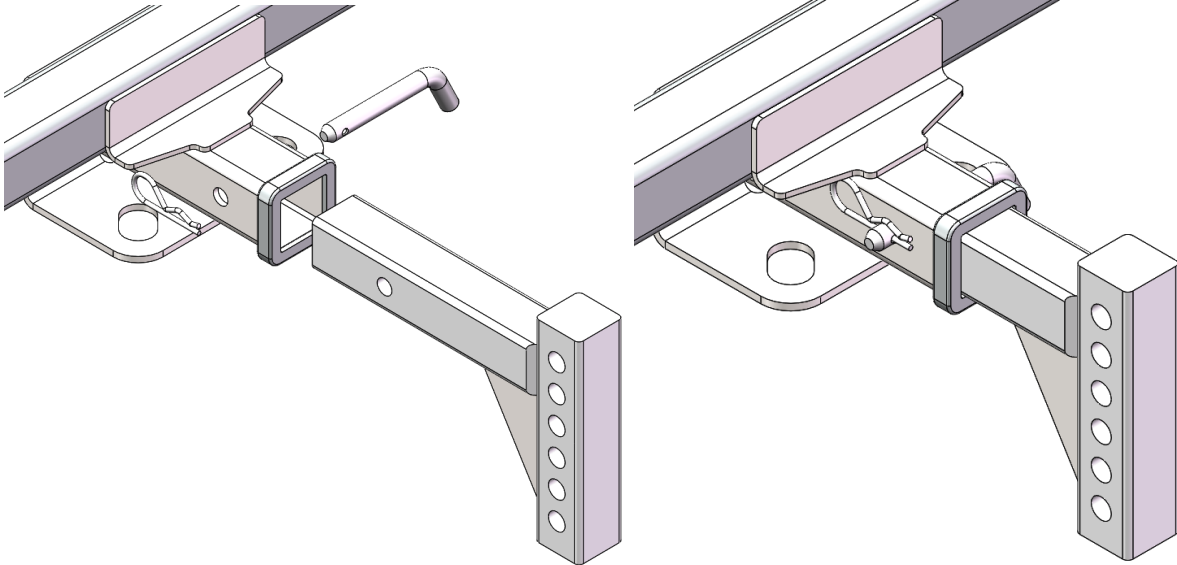
Use only the supplied hardware to install this kit

ITEM NO.	DESCRIPTION	QTY.
1	TRI-BALL RECEIVER	1
2	TRI-BALL HITCH	1
3	SHANK, 5-1/2" RISE, 1-1/4" DROP, 7-3/4" LONG, 2" SQ	1
4	HEX HEAD BOLT, 1/2-13 X 1.00	1
5	5/8" HITCH PIN	2
6	5/8" HAIR PIN	2
7	PIN & RING	2

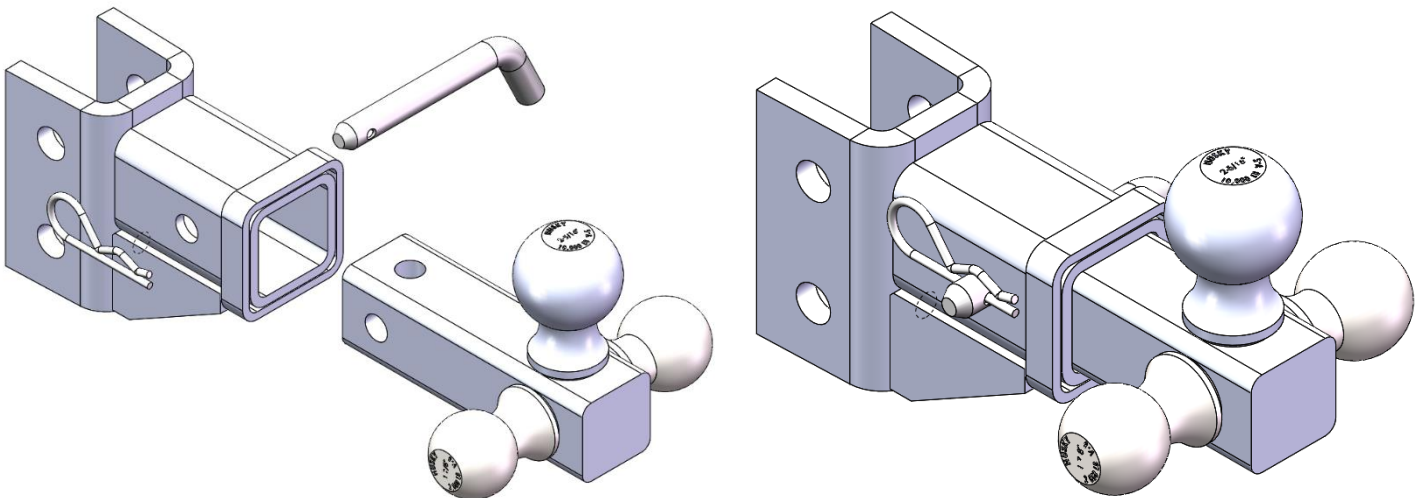


INSTALLATION

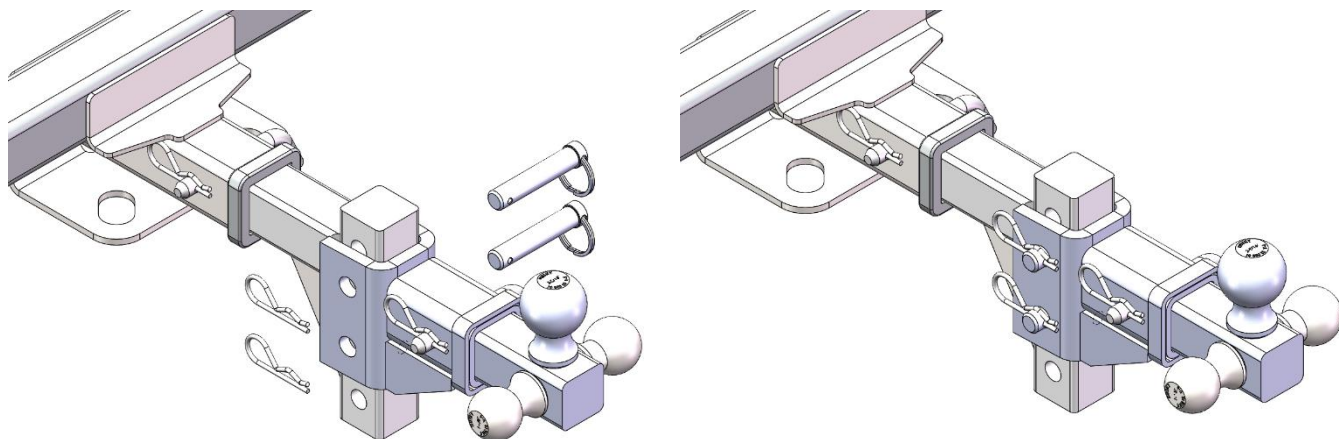
1. Install the shank into the receiver on the tow vehicle.
2. Secure the shank with the Hitch Pin.
3. Install the Hair Pin through the Hitch Pin.



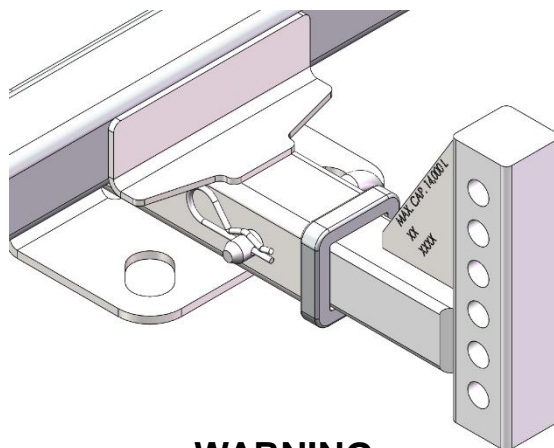
4. Select the correct size ball on the Tri-Ball hitch for your trailer's coupler and install in the Tri-Ball Receiver.
5. Secure the Receiver to the shank with the Hitch Pin.
6. Install the Hair Pin through the Hitch Pin
7. Level your trailer and measure the distance from the ground to the top of the coupler.



6. Select the mounting holes in the Shank and Receiver that place the ball at the proper height for the coupler on your trailer.
7. Attach the assembled Tri-Ball and Receiver to the shank with the 2 pins with the rings. **Both pins must be used, and both must go through the Shank and Tri-Ball Receiver.**
6. Install the Hair Pins through the Pins with rings.



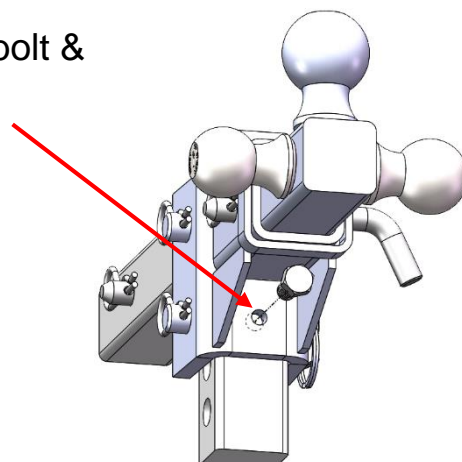
Note: Depending on your trailer and tow vehicle height, it may be necessary to reverse the Shank to the “rise” position to achieve the correct height.



WARNING:

Do not tow a trailer without ensuring that the hitch pin and hair pin clip are securely locked in place.

9. Once the hitch is assembled, install the anti rattle bolt & Torque to 75 ft. lbs.



TOWING TIPS

Driving Tow Vehicle

Good habits for normal driving need extra emphasis when towing a trailer. The additional weight of the trailer affects acceleration and braking. Extra time should be allowed for passing, stopping and changing lanes. Signal well in advance of a maneuver to let other drivers know your intentions. Severe bumps and badly undulating roads can damage your towing vehicle, hitch and trailer, and should be negotiated at a slow, steady speed. If any part of your towing system “bottoms out” or if you suspect damage may have occurred in any other way, pull over and make a thorough inspection. Correct any problems before resuming travel.

Turning and backing up present new problems-plan ahead. It is highly recommended that a spotter be used when backing up to alert the driver of possible obstacles and prevent jack knifing the trailer.

Towing a trailer will change your turning radius, the longer the trailer the larger radius turn.

Driving Conditions

When driving in conditions where the pavement is wet, icy, snowy, loose gravel, grass and dirt, reduce speed and do not make any sudden maneuvers. Allow ample distance/time for stopping and changing lanes. If possible, wait for road conditions to improve before driving.

Follow all state, local and provincial driving and towing laws in the location you are driving in.

Not following your tow vehicle, trailer, and Husky instructions/manuals can result in a fatal accident.

Check Your Equipment

Please refer to the MAINTENANCE section. Periodically check the condition of all your towing equipment and keep it in top condition.

Tire Inflation

Unless specified otherwise by the towing vehicle or trailer manufacturer, tires should be inflated to their manufacturer's towing recommendations.

Towing Vehicle and Trailer Manufacturers Recommendations

Review the owner's manual for your towing vehicle and trailer for specific recommendations, capacities and requirements.

Passengers in Trailers

Trailers should not be occupied while being towed. Most states enforce this regulation.

Trailer Lights, Turn Signals, Electric Brakes

Always hook up all of the trailer lights, electric brakes and break-away switch connection whenever trailer is being towed. Also periodically check functionality of all lights before towing and repair any problems as needed.

Remove Hitch When Not Towing

Remove hitch from receiver on towing vehicle when not towing a trailer to reduce chances of striking hitch on driveway or other objects, and reduce the chance of parts being stolen

Maintenance

At The Beginning of Every Towing Day:

Clean ball and coat ball lightly with grease.

If electric brakes are used ensure the emergency break away cable is attached to the tow vehicle.

Check to see that all electrical hook-ups are in working order and that the safety chains are securely connected.

Towing safely is the responsibility of the driver of the vehicle. Failure to tow safely can result in vehicle damage, bodily injury or death.

Warranty Terms:

5 Year Limited Warranty:

This warranty applies solely to Husky Tri-Ball Adjustable Ball Mount manufactured by LKQ Specialty Products Group for Husky Towing Products.

Husky Towing Products and LKQ Specialty Products Group make no guarantees or warranties for products not manufactured by LKQ Specialty Products Group. Such products are covered solely under any applicable warranty of the manufacturer. It is always recommended that the operating instructions and warranty instructions provided by the manufacturer are followed.

LKQ Specialty Products Group warrants its products to be free from manufacturing and material defects to the original purchaser for the length of warranty stated above from the date of retail purchase. If any products are found to have a manufacturing or material defect, the product will be replaced or repaired at the option of Husky Towing Products and LKQ Specialty Products Group with proof of purchase by the original purchaser. The original purchaser shall pay all transportation and shipping costs associated with the return of the defective product and the defective product shall become the property of LKQ Specialty Products Group

The Warranty applies to LKQ Specialty Products Group products used for individual and recreational purposes. Commercial usage of the LKQ Specialty Products Group products limits the warranty to 90-days from date of purchase.

The Warranty applies only to LKQ Specialty Products Group products which are found to be defective in manufacturing or material. This warranty does not apply to normal wear and tear of the finish placed on LKQ Specialty Products Group products.

Husky Towing Products and LKQ Specialty Products Group are not responsible for any labor costs incurred for removal or replacement of the defective product.

Husky Towing Products and LKQ Specialty Products Group are not responsible for repair or replacement of any product under the limited warranty where the product was improperly installed, misapplied, altered, abused, neglected, overloaded, misused or damaged as a result of an accident, including any use of the product not in accordance with all product operating and safety instructions.

Without limiting the generality of the foregoing, Husky Towing Products and LKQ Specialty Products Group shall under no circumstances be liable for any incidental or consequential loss or damage whatsoever arising out of, or in any way relating to any such breach of warranty or claimed defect in, or non-performance of the products. Some states do not allow the exclusion or limitation of incidental or consequential damages, so the above exclusion or limitation may not apply to you.

This limited warranty gives you specific legal rights, and you may also have other rights that vary from state to state.